

SPEAKER MICROPHONE

MH-50

Service Manual

©2002 VERTEX STANDARD CO., LTD. Printed in Japan.

VERTEX STANDARD CO., LTD.

4-8-8 Nakameguro, Meguro-Ku, Tokyo 153-8644, Japan

VERTEX STANDARD

US Headquarters

10900 Walker Street, Cypress, CA 90630, U.S.A.

International Division

8350 N.W. 52nd Terrace, Suite 201, Miami, FL 33166, U.S.A.

YAESU EUROPE B.V.

P.O. Box 75525, 1118 ZN Schiphol, The Netherlands

YAESU UK LTD.

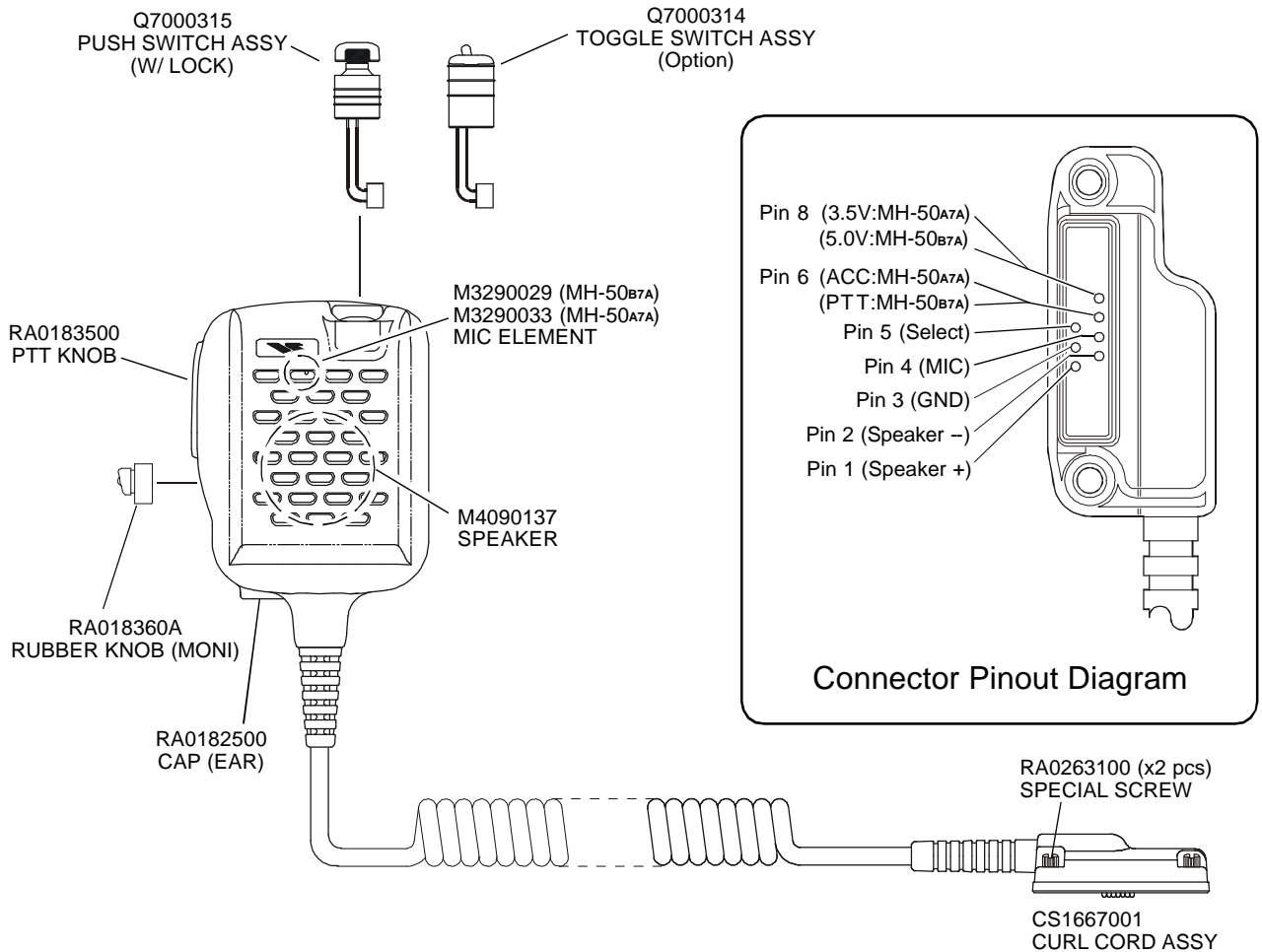
Unit 12, Sun Valley Business Park, Winnall Close
Winchester, Hampshire, SO23 0LB, U.K.

VERTEX STANDARD HK LTD.

Unit 5, 20/F., Seaview Centre, 139-141 Hoi Bun Road,
Kwun Tong, Kowloon, Hong Kong

The MH-50 is a Speaker Microphone designed especially for Vertex Standard transceivers*.

* VX-600 / -800 / -900: MH-50_{A7A}, VX-1210: MH-50_{B7A}



Non-designated parts are available only as part of a designated assembly.

Specifications

Microphone Impedance: 2.2k-ohm at 1 kHz

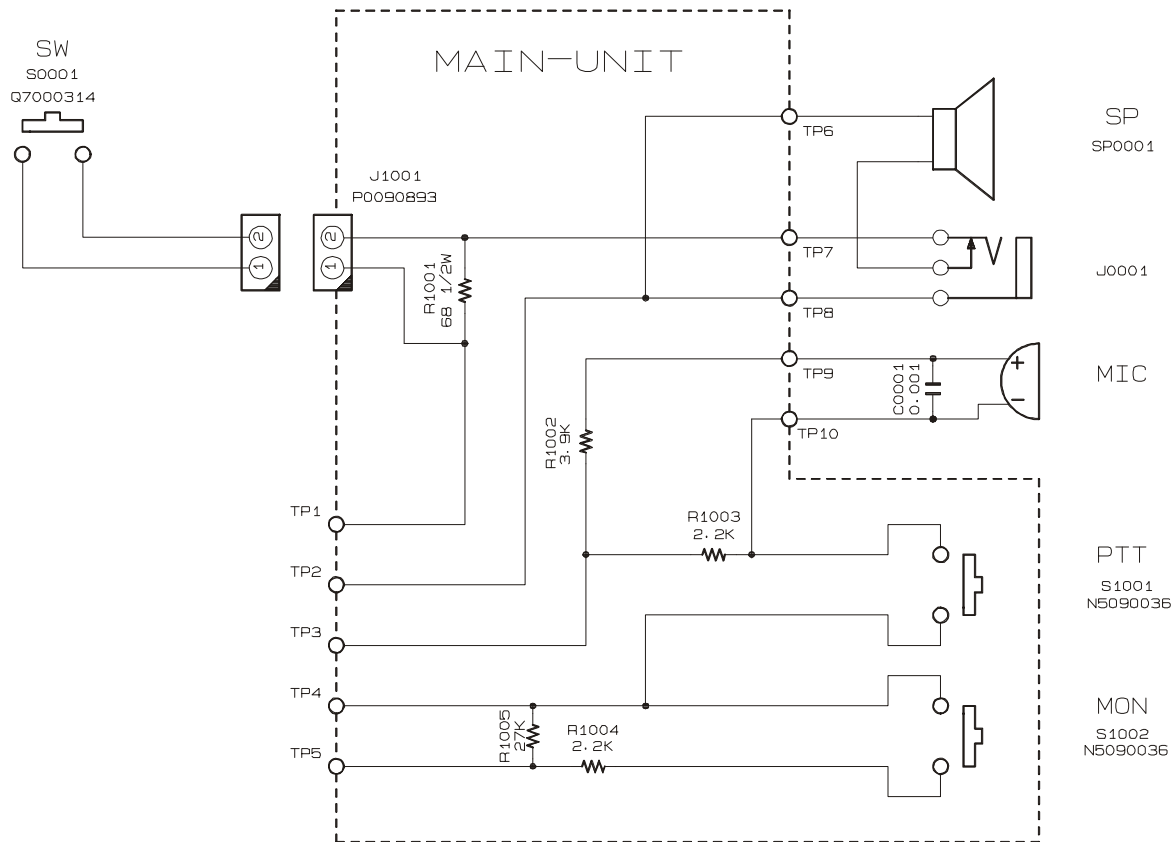
Speaker Impedance: 16-ohm

Speaker Input: max. 0.6W

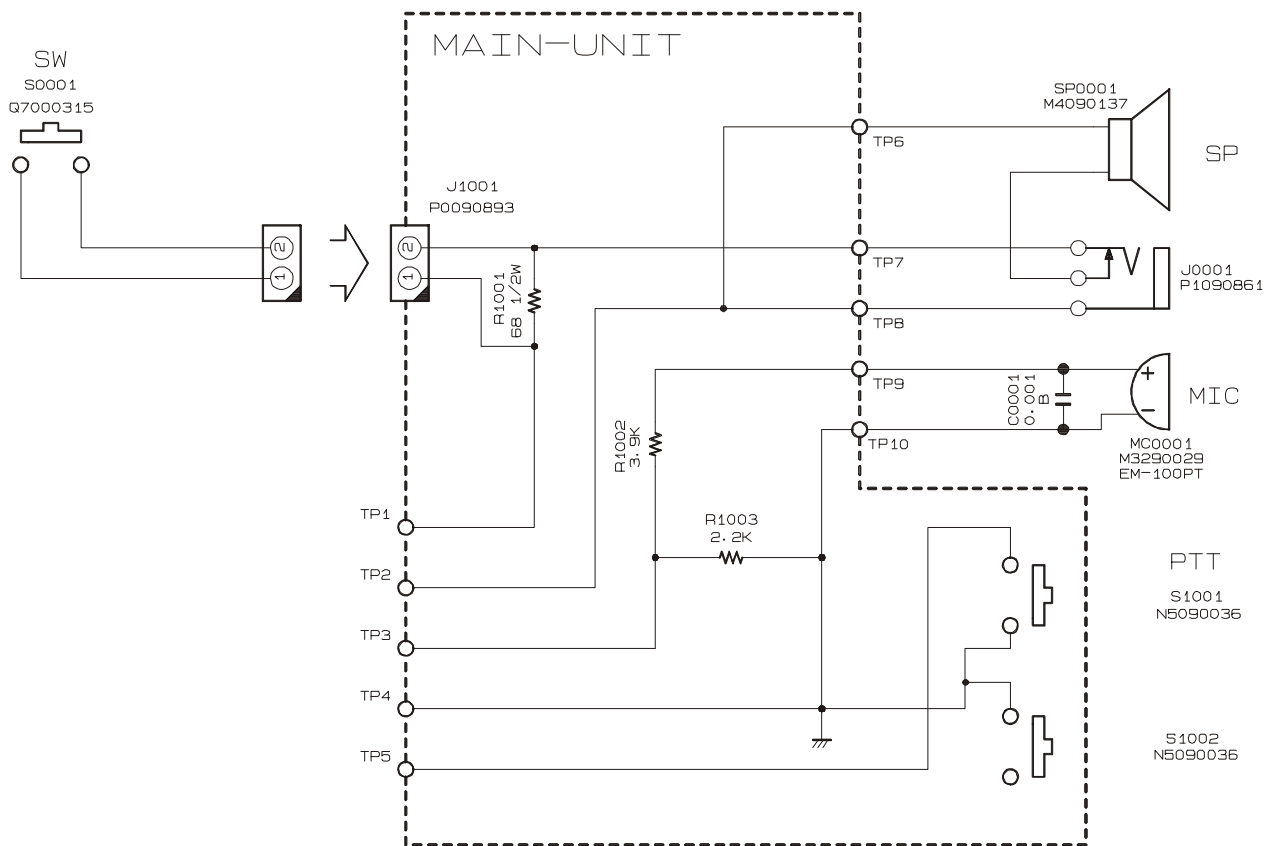
Weight (approx.): 220 g



Circuit Diagram



MH-50A7A



MH-50B7A